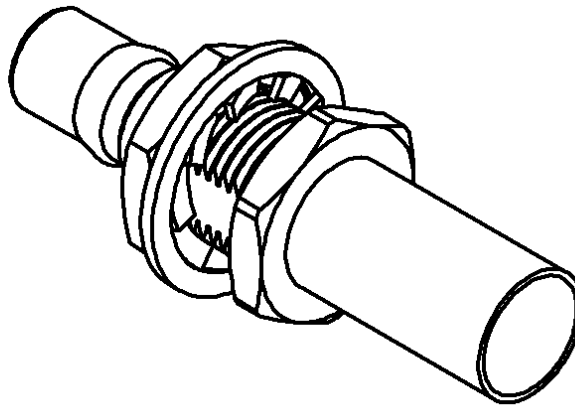
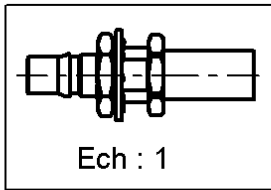
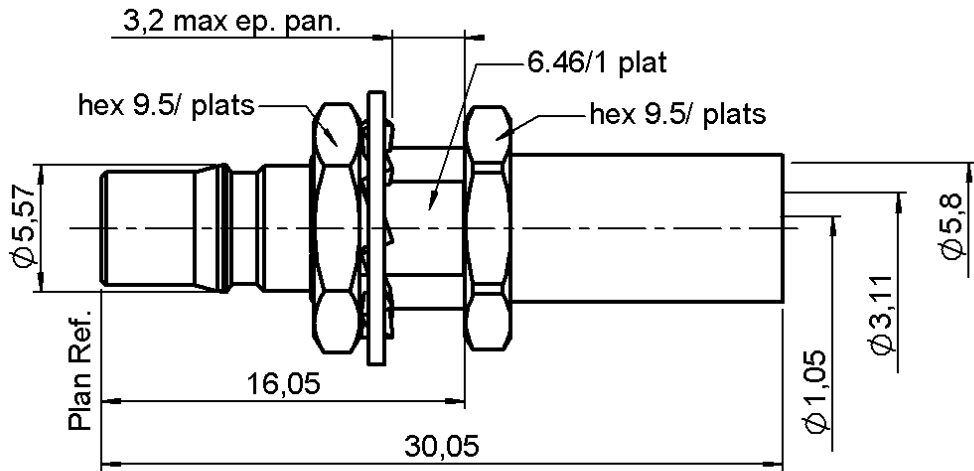


**STRAIGHT BULKHEAD JACK CRIMP TYPE**

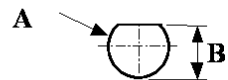
**R123.315.000**

**CABLE 5/50 DTR**

Series : QMA



**PANEL CUT OUT**



mm		
	Maxi	mini
A	7.3	7.2
B	6.65	6.5



All dimensions are in mm.

COMPONENTS	MATERIALS	PLATINGS (µm)
BODY	BRASS	BBR 2
CENTER CONTACT	BERYLLIUM COPPER	GOLD 1.3 OVER COPPER 2.5
OUTER CONTACT		
INSULATOR	PTFE	
GASKET		
OTHERS PARTS	BRASS	BBR 2
-	-	-
-	-	-

Issue : 0408 B

In the effort to improve our products, we reserve the right to make changes judged to be necessary.



**STRAIGHT BULKHEAD JACK CRIMP TYPE**

**R123.315.000**

**CABLE 5/50 DTR**

Series : QMA

**PACKAGING**

Standard	Unit	Other
<b>100</b>	<b>'W' option</b>	<b>Contact us</b>

**SPECIFICATION**

**ELECTRICAL CHARACTERISTICS**

Impedance		<b>50</b>	$\Omega$
Frequency		<b>0-6</b>	GHz
VSWR	<b>1.15</b> +	<b>0.020</b>	x F(GHz) Maxi
Insertion loss		<b>0.05</b>	$\sqrt{F}$ (GHz) dB Maxi
RF leakage	- (	<b>***80</b>	- F(GHz)) dB Maxi
Voltage rating		<b>335</b>	Veff Maxi
Dielectric withstanding voltage		<b>1000</b>	Veff mini
Insulation resistance		<b>5000</b>	M $\Omega$ mini

**CABLE ASSEMBLY**

Stripping	a	b	c	d	e	f
mm	2.80	6.50	11.0	0.00	8.20	0.00

Assembly instruction : **Crimp 02**

Recommended cable(s)  
 RG 142  
 RG 142 FTX  
 KX 23  
 RG 400  
 RG 223

Characteristics indicated on this data sheet are those that can be achieved with the highest performance cable. Intrinsic limitations of the cable may diminish the performance of the assembly

Cable retention

- pull off **200** N mini  
 - torque **NA** N.cm

**MECHANICAL CHARACTERISTICS**

Center contact retention			
Axial force – Mating end		<b>18</b>	N mini
Axial force – Opposite end		<b>18</b>	N mini
Torque		<b>NA</b>	N.cm mini

**TOOLING**

Part Number	Description	Hexagon
.	.	.
R282.223.000	CRIMPING TOOL	5.41
R282.235.011	CRIMPING DIES	5.41
R282.281.000	CRIMPING TOOL	2x4 (pos. 7)
R282.293.000	CRIMPING TOOL	
R282.967.016	POSITIONER FOR CRIMPING TOOL	

Recommended torque			
Mating			N.cm
Panel nut		<b>160</b>	N.cm
Clamp nut			N.cm
A/F clamp nut		<b>0.000</b>	mm
Mating life		<b>100</b>	Cycles mini
Weight		<b>5.500</b>	g

**ENVIRONMENTAL**

Operating temperature		<b>-40/+80</b>	$^{\circ}$ C
Hermetic seal		<b>NA</b>	Atm.cm3/s
Panel leakage		<b>NA</b>	

**OTHERS CHARACTERISTICS**

\*\*Intermod.: -120dBc at 1.8GHz (2x20W)  
 \*\*\*RF Leakage interf only:  $3 < F < 6$ GHz: >70dB

Issue : 0408 B

In the effort to improve our products, we reserve the right to make changes judged to be necessary.

